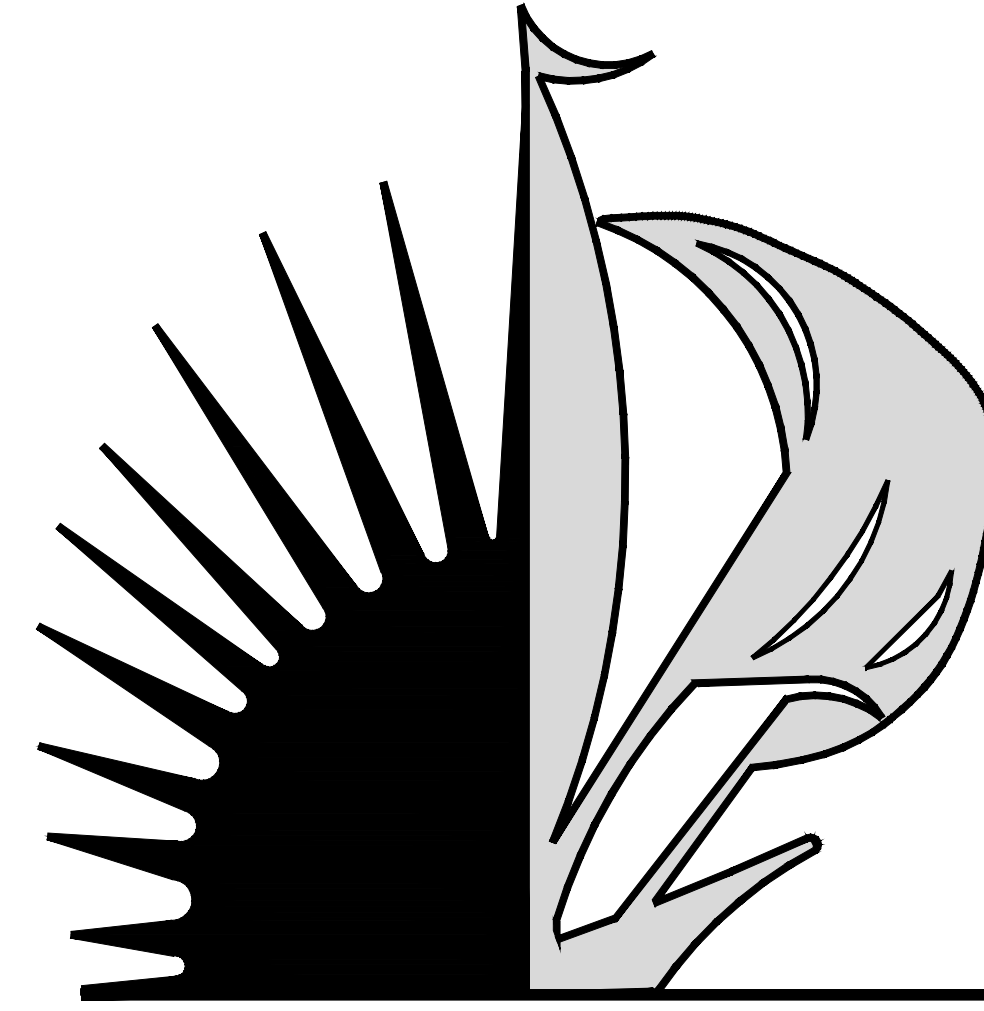


DRAWING INDEX

CIVIL

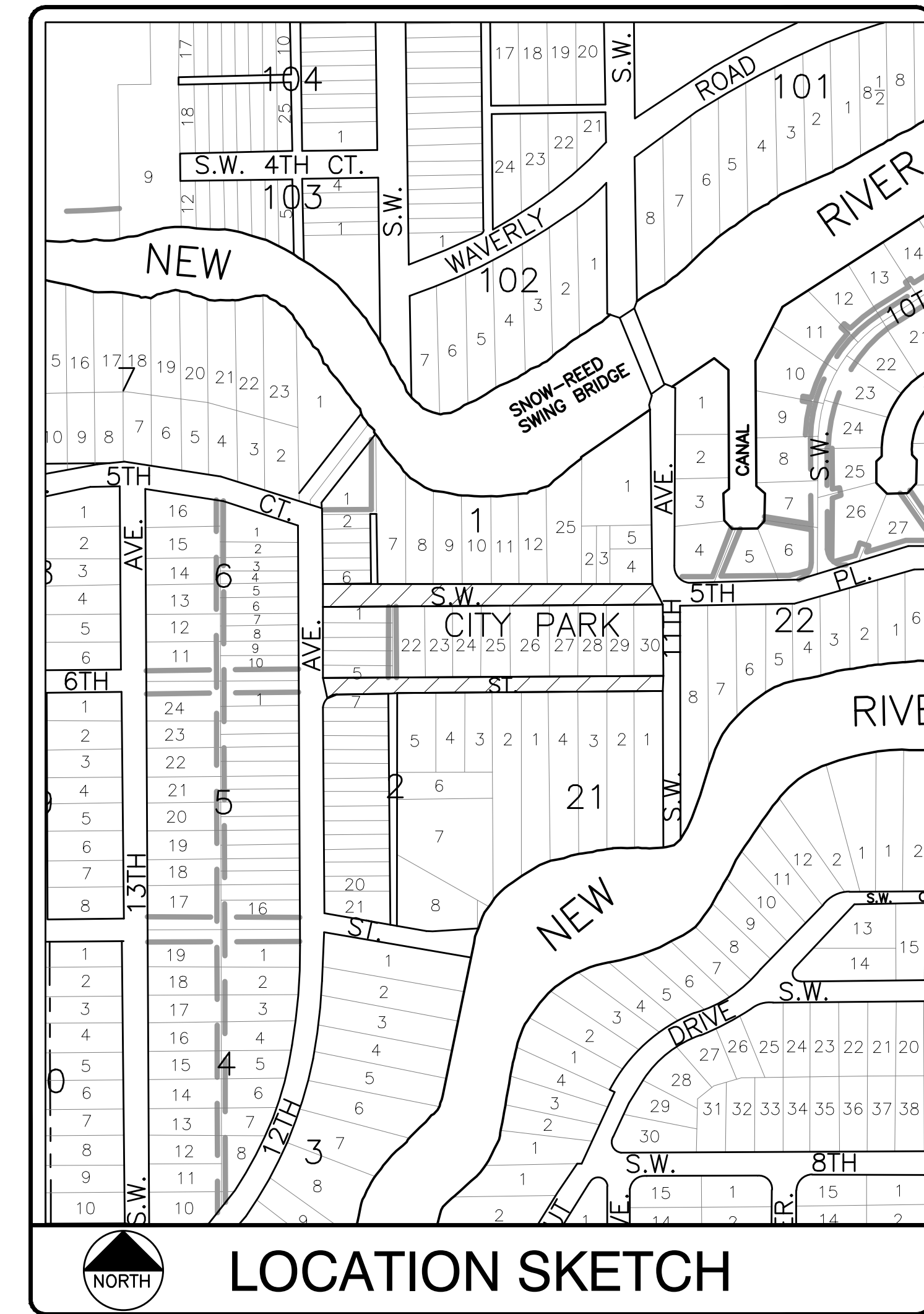
1	PLAN SHEET
2	PLAN SHEET/DETAILS



CITY OF FORT LAUDERDALE

PROJECT #11627
 RIVERSIDE PARK
 TRAFFIC CALMING IMPROVEMENTS

FORT LAUDERDALE, FLORIDA



PROJECT #11627
 RIVERSIDE PARK
 TRAFFIC CALMING IMPROVEMENTS

CITY OF FORT LAUDERDALE
 PUBLIC WORKS DEPARTMENT
 ENGINEERING & ARCHITECTURE
 100 North Andrews Avenue, Fort Lauderdale, Florida 33301

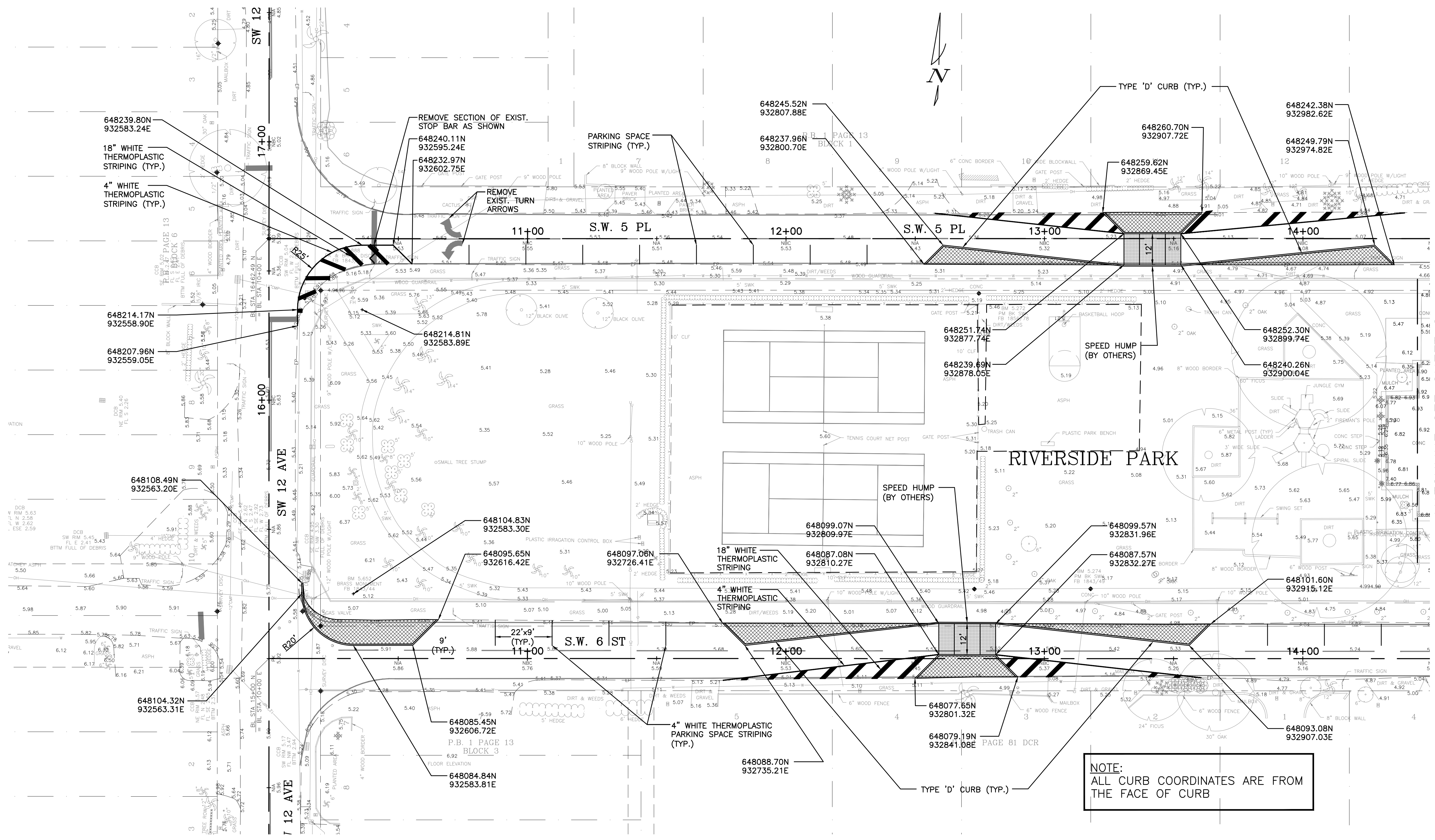
FORT LAUDERDALE CITY COMMISSION

JOHN P. "JACK" SEILER	MAYOR
BRUCE G. ROBERTS	COMMISSIONER - DISTRICT I
CHARLOTTE E. RODSTROM	COMMISSIONER - DISTRICT II
BOBBY B. DuBOSE	COMMISSIONER - DISTRICT III
ROMNEY ROGERS	COMMISSIONER - DISTRICT IV

MEHRDAD FAYYAZ, P.E. PROJECT MANAGER (954) 828-6527

DATE: 06/23/10
 CAD FILE: 11627-000-002COVR
 DRAWING FILE No.: 4-134-62

CONSTRUCTION SET



MATCHLINE SEE SHEET 2

CONSTRUCTION SET

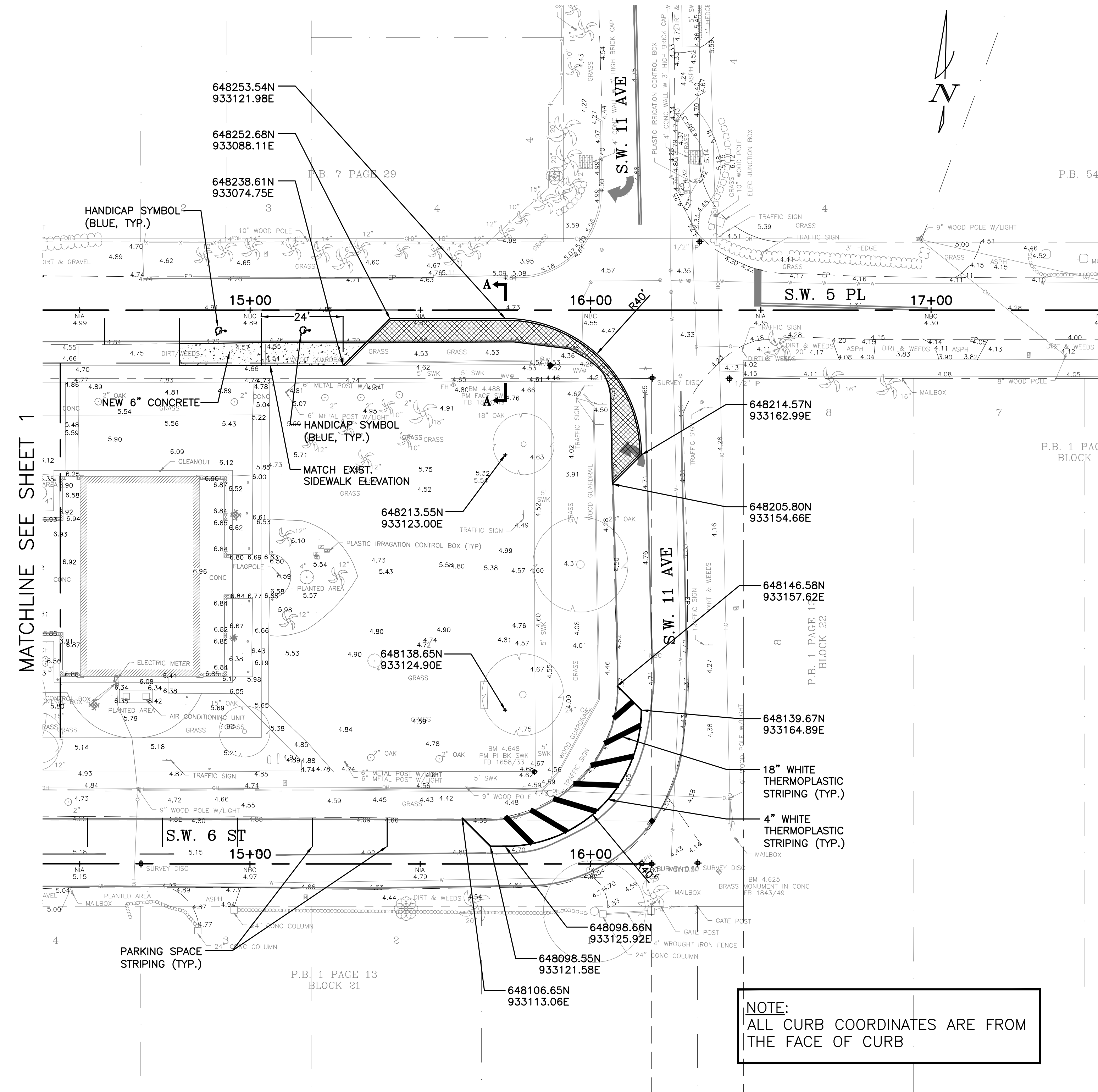
PROJECT # 11627
 RIVERSIDE PARK
 TRAFFIC CALMING IMPROVEMENTS
 PLAN SHEET
 FORT LAUDERDALE, FLORIDA

SHEET NO.	OF
1	-
TOTAL:	2
CAD FILE:	11627-001-PLAN
DRAWING FILE NO.	4-134-62

NO.	DATE	BY	CH'D	DESCRIPTION

CITY OF FORT LAUDERDALE
 PUBLIC WORKS DEPARTMENT
 ENGINEERING & ARCHITECTURE
 100 North Andrews Avenue, Fort Lauderdale, Florida 33301

DESIGNED BY: SCALE: 1" = 20'
 CHECKED BY: MF
 DATE: 06/23/10
 DRAWN BY: WD
 FIELD BOOK:

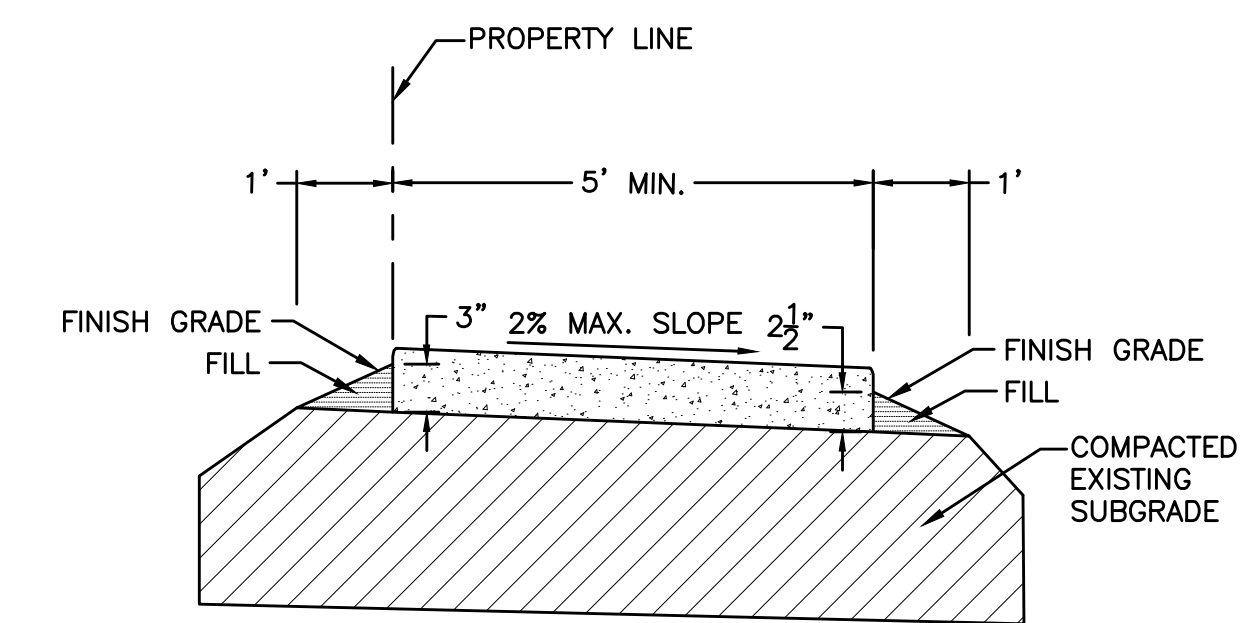
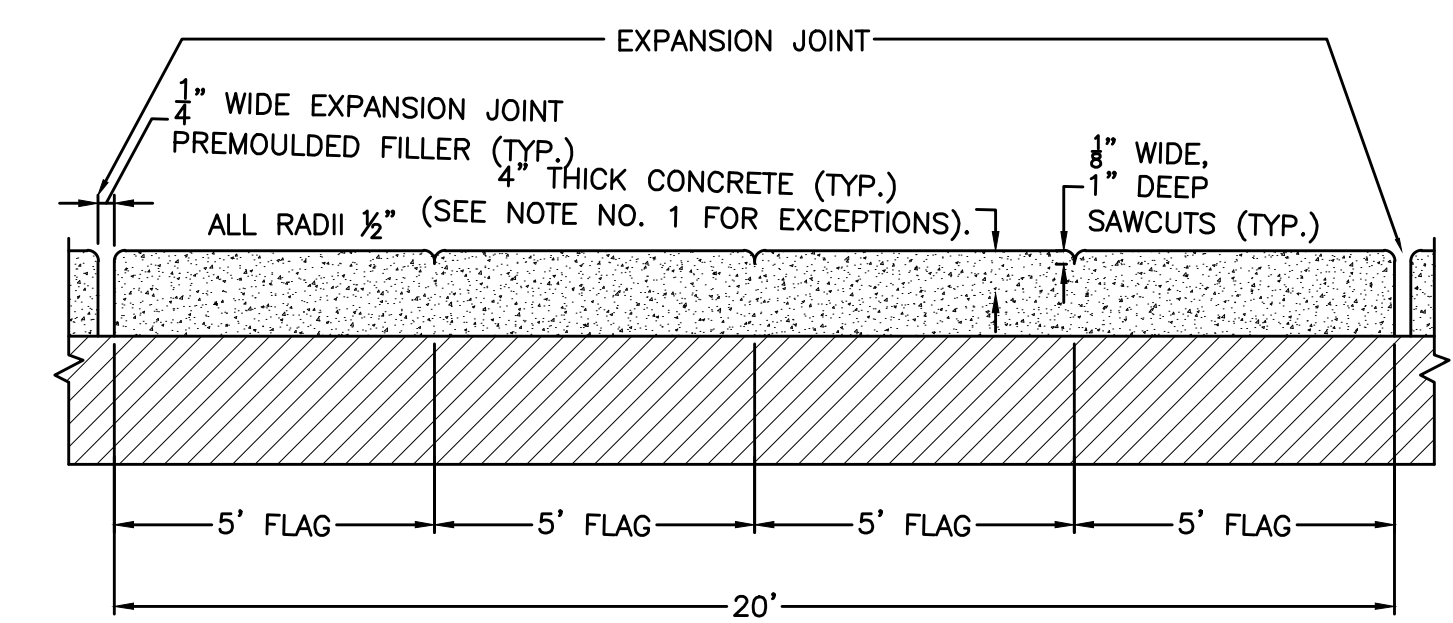


MATCHLINE SEE SHEET 1

P.B. 54

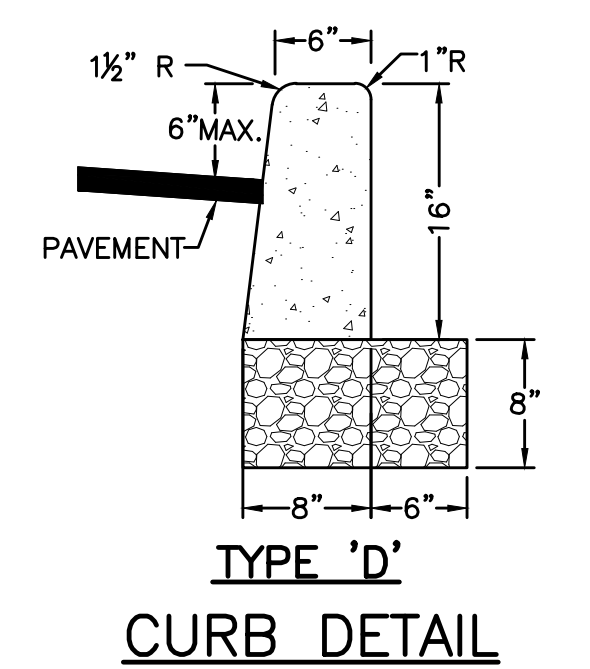
P.B. 1 PAGE BLOCK

NOTE:
ALL CURB COORDINATES ARE FROM THE FACE OF CURB



SIDEWALK CONSTRUCTION (C2.1)

- NOTES:**
1. A MINIMUM OF 6" THICK SIDEWALK IS REQUIRED AT SIDEWALKS THROUGH DRIVEWAYS AND ON ALL COMMERCIAL SIDEWALK APPLICATIONS.
 2. CONCRETE STRENGTH SHALL BE 3000 P.S.I.
 3. THE USE OF REINFORCEMENT WILL NOT BE PERMITTED.
 4. SIDEWALK SLOPES SHALL MEET THE REQUIREMENTS OF THE AMERICANS WITH DISABILITIES ACT (ADA).

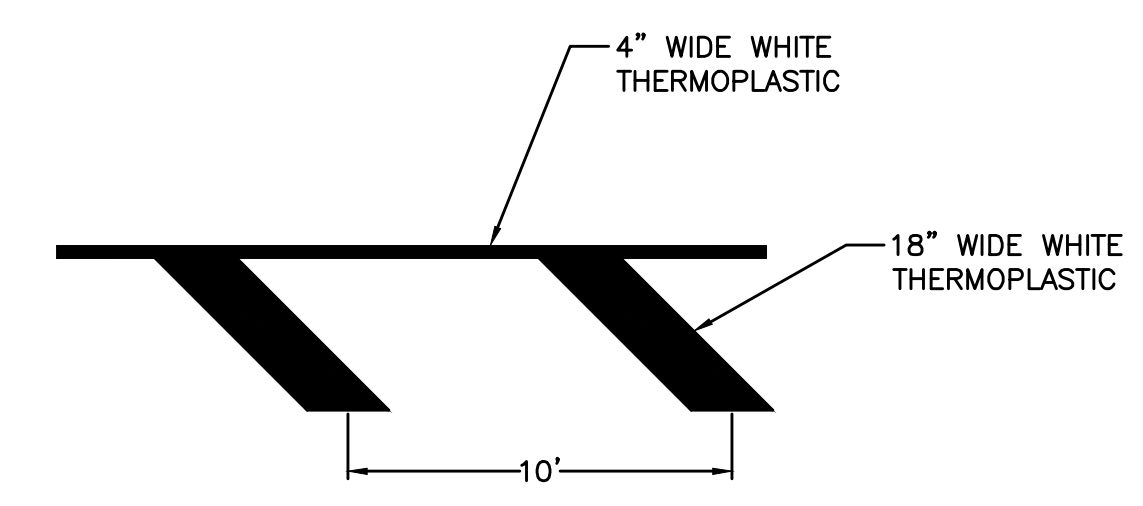


TYPE 'D' CURB DETAIL

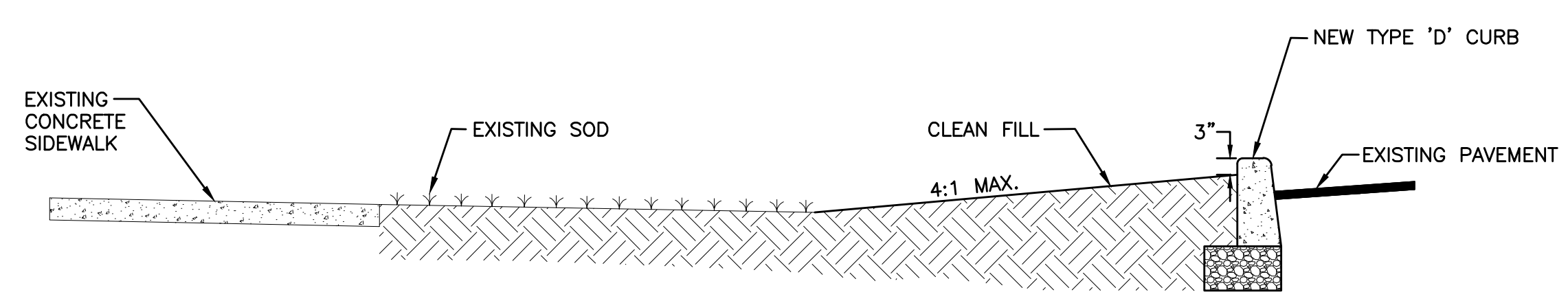
REVISIONS		DESCRIPTION
NO.	DATE	BY

LEGEND	
	REMOVE PAVEMENT/ADD CLEAN FILL
	TYPE 'D' CURB
	SPEED HUMP (BY OTHERS)

- NOTE:**
1. ALL CURBS MUST HAVE AN 8" THICK MINIMUM STABILIZED LIMEROCK BASE, COMPACTED TO 98% MAX. DENSITY PER AASHTO T-180.
 2. ALL CONCRETE STRENGTH TO BE 3000 P.S.I.



TYPICAL STRIPING DETAIL



SECTION A-A

CONSTRUCTION SET

DATE:	06/23/10
DESIGNED BY:	SCALE: 1" = 20'
CHECKED BY:	MF
FIELD BOOK:	MF

CITY OF FORT LAUDERDALE
PUBLIC WORKS DEPARTMENT
ENGINEERING & ARCHITECTURE
100 North Andrews Avenue, Fort Lauderdale, Florida 33301

NO.	DATE	BY	DESCRIPTION

PROJECT # 11627
RIVERSIDE PARK
TRAFFIC CALMING IMPROVEMENTS
PLAN SHEET/DETAILS
FORT LAUDERDALE, FLORIDA

SHEET NO.	OF
2	-
TOTAL:	2
CAD FILE:	11627-002-PLAN
DRAWING FILE NO.	4-134-62